


# PRODUCT SHEET

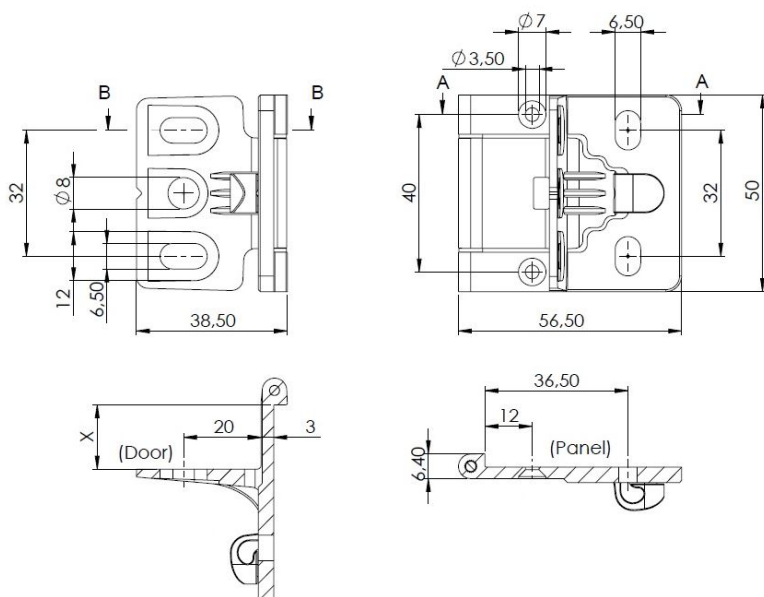
## Description:

Cabinet Hinge "Easy",F/Inset Doors,Black,Min.180DG,F/14-16mm Panel, W/Catch, Zamak Body & Stainless Steel Axel, Incl. 4, Black SS Euro Screws  $\varnothing 6,3 \times 16 \text{mm}$  + 2 CSK Black Steel Screws,  $3,5 \times 10 \text{mm}$  & 2 Black PA6 Gaskets - 1mm

## Item number:

15.04.111-0

Units	Box	Carton	HS Code	Barcode
Pcs.	10	200	8302100090	 5704866487979



## SISO A/S

Mileparken 11  
DK-2740 Skovlunde  
Denmark  
VAT: DK 24786013

Phone +45 45 830 900

[www.siso.dk](http://www.siso.dk)  
[siso@siso.dk](mailto:siso@siso.dk)

Danske Bank  
Nytorv Branch  
Copenhagen  
SWIFT: DABADKKK

Account no.  
4180 3112 112936  
IBAN Account  
DK7230003112112936